

# Ball Races / Ball Bearings

Mounted Parts for Drawbar Trailers and Agricultural Vehicles



## SAF Ball races for turntable drawbar trailers

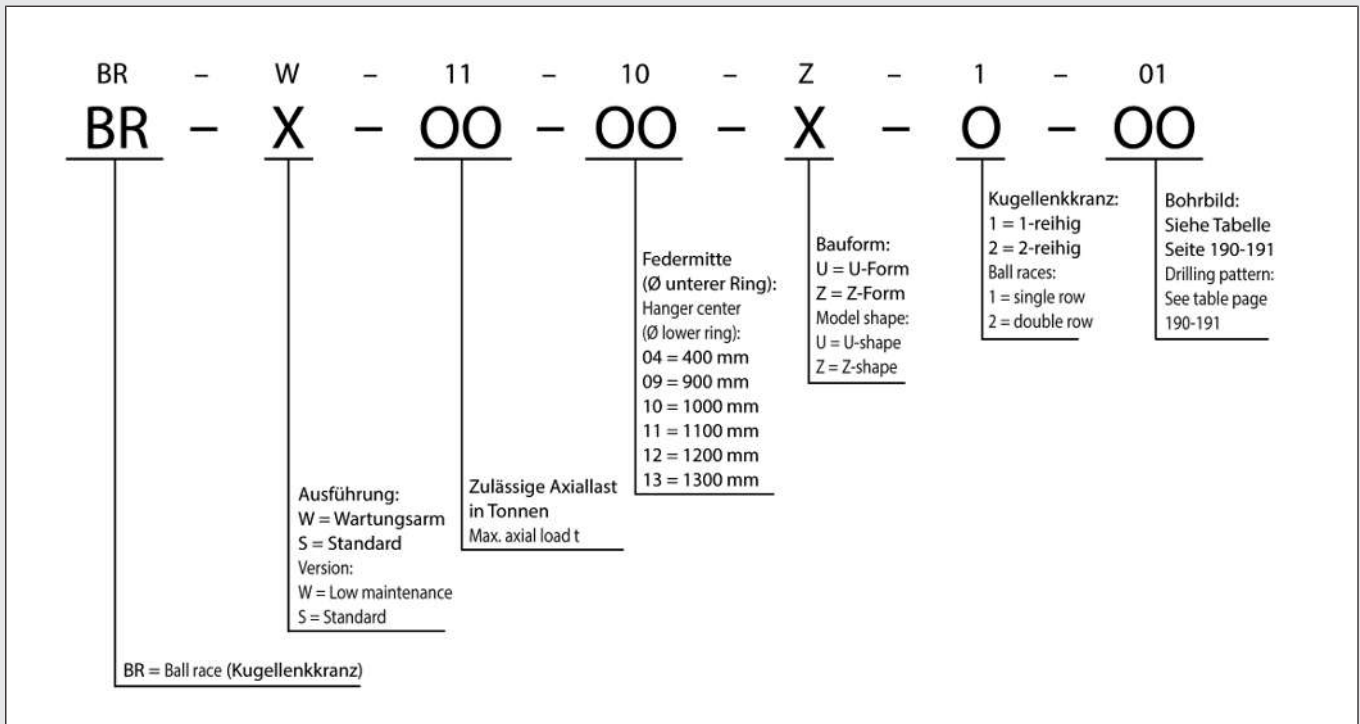


### Single Row Ball Races Low-Maintenance

The low-maintenance ball race series BR-W enjoy a low maintenance life cycle of up to 3 years or 300,000 km. After that period they are to be serviced in the same way as standard ball races.

### Technical Data

- The specifications are nominal dimensions and are subject to the tolerances at our works.
- Ball races from SAF-HOLLAND are suitable for the installation on the front axle of 2- and 3-axle drawbar trailers with a max. permissible speed of 105 km/h (65 mph).
- On 2-axle-trailers the specified axle loads can be exceeded by 10 %, at speeds below 30 km/h (18 mph) by 20 %.
- When using ball races with forced steering systems, please find out the maximum permissible load data.
- All data applies for operation on paved roads as typical in Western Europe.
- 4 or 2 lubrication points supplied via grease nipple



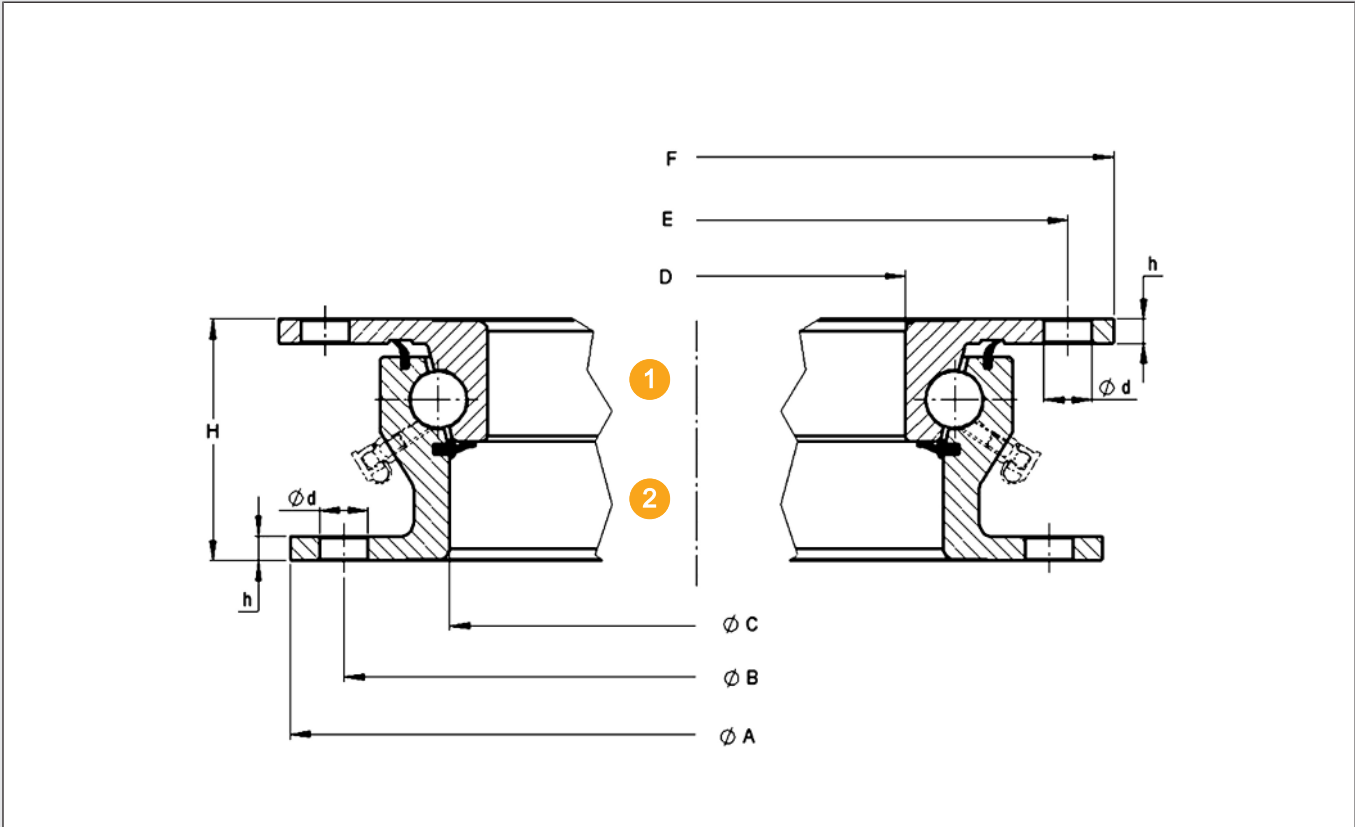
## Surface Coating

- Surface: static liquid coating, colour RAL 9005, with good corrosion protection
- No need for the vehicle manufacturer to provide additional coating

### NOTE:

It the turntable is re-coated, the sealing lip may stick to the ring or partially separate from its groove.

Corrective action: e.g. mask the sealing lips before re-coating.



1	Upper Ring
2	Lower Ring

A	Outer diameter	D	Inner diameter
B	Drilling pattern diameter	E	Drilling pattern diameter
C	Inner diameter	F	Outer diameter

## Screw Assemblies

Type	Dimensions	Pcs.	Order no.
Screw assembly		1	03434432000
	M16x1,5x45 - DIN 960	16	662101545
	VM16x1,5 - DIN 980	16	662101361
Screw assembly		1	03434432100
	M16x1,5x45 - DIN 960	24	662101545
	VM16x1,5 - DIN 980	24	662101361

## Technical Data – Single Row Ball Races

Type	Drilling pattern	axial load kN	A mm	B mm	C mm	D mm	E mm	F mm	d mm	h mm	H mm	Weight kg	Order no.	replaces
BR-W-8-10-U-1-00	-	80	1000	n.a.	881	853	n.a.	1008	n.a.	9	90	64	1038300000010	662106100 / 662106110
BR-W-10-10-U-1-00	-	100	1000	n.a.	881	853	n.a.	1008	n.a.	9	90	64	1038300000020	662106120 / 662106130
BR-W-10-11-U-1-01	1	100	1100	1060	981	953	1074	1108	18	9	90	71	1038300000030	662106140 / 662106150
BR-W-12-11-U-1-01	1	120	1100	1060	981	953	1074	1108	18	9	90	71	1038300000040	662106160 / 662106170
BR-W-12-11-U-1-S	S(*)	120	1100	1060	981	953	1074	1108	18	-	90	72	1038300000090	
BR-W-13-12-U-1-01	1	130	1200	1160	1081	1053	1174	1208	18	9	90	78	1038300000050	662106180 / 662106190
BR-W-14-13-U-1-01	1	140	1300	1260	1181	1153	1274	1308	18	9	90	84	1038300000060	
BR-W-14-13-U-1-00	-	140	1300	n.a.	1181	1153	n.a.	1308	n.a.	9	90	84	1038300000120	
BR-W-14-13-U-1-02	2	140	1300	1260	1181	1153	1274	1308	18	9	90	84	1038300000130	
BR-W-14-13-U-1-07	7	140	1300	1260	1181	1153	1274	1308	18	9	90	84	1038300000140	
BR-S-06-10-Z-1-00	-	60	955	n.a.	813	750	n.a.	885	n.a.	9	60	53	1038300000180	662106200
BR-S-06-10-Z-1-03	3	60	955	920	813	750	780	885	15	9	60	52	1038300000190	662106220
BR-S-07-11-Z-1-00	-	70	1100	n.a.	953	890	n.a.	1026	n.a.	9	60	65	1038300000200	662106240
BR-S-07-11-Z-1-03	3	70	1100	1070	953	890	920	1026	15	9	60	64	1038300000210	662106260
BR-S-01-04-Z-1-00	-	14	400	n.a.	283	216	n.a.	339	n.a.	7	52	11	1038300000220	662106280
BR-W-16-11-U-1-01	1	981	1100	1060	981	953	1074	1108	18	9	90	70	1038300000230	662106300
BR-W-14-13-U-1-03	3	140	1300	1260	1181	1153	1274	1308	18	9	90	84	1038300000370	
BR-W-13-12-U-1-09	S(*)	130	1200	1170	1081	1053	1180	1208	17	9	90	82	1038300000850	

All dimensions specifications are nominal dimensions

Further versions on request

(\*) – special drilling pattern

contact Application Engineering for more information

## Technical Data – Double Row Ball Races

Type	Drilling pattern	axial load kN	A mm	B mm	C mm	D mm	E mm	F mm	d mm	h mm	H mm	Weight kg	Order no.	replaces
BR-S-16-10-U-2-S(*)	S(*)	160	987	952,5	872	832	965,2	1000	17	11	90	83	1038300000240	
BR-S-20-11-U-2-S(*)	S(*)	200	1095	1060	972	932	1074	1102	17	11	90	95	1038300000250	
BR-S-16-10-U-2-01	1	160	994	960	872	832	974	1000	18	11	90	84	1038300000400	
BR-S-16-10-U-2-00	-	160	994	-	872	832	-	1000	-	11	90	85	1038300000420	
BR-S-18-11-U-2-00	-	180	1094	-	972	932	-	1100	-	11	90	95	1038300000440	
BR-S-20-12-U-2-00	-	200	1194	-	1072	1032	-	1200	-	11	90	105	1038300000500	
BR-S-20-12-U-2-01	1	200	1194	1160	1072	1032	1174	1200	18	11	90	104	1038300000520	
BR-S-20-12-U-2-08	8	200	1194	1160	1072	1032	1174	1200	18	11	90	104	1038300000560	
BR-S-20-11-U-2-01	1	200	1095	1060	972	932	1074	1102	18	11	90	94	1038300000770	
BR-S-20-11-U-2-09	S(*)	200	1095	1064	978	938	1076	1106	18	11	90	94	1038300000800	
BR-S-20-12a-U-2-08	8	200	1195	1160	1080	1040	1174	1208	18	11	90	104	1038300000870	

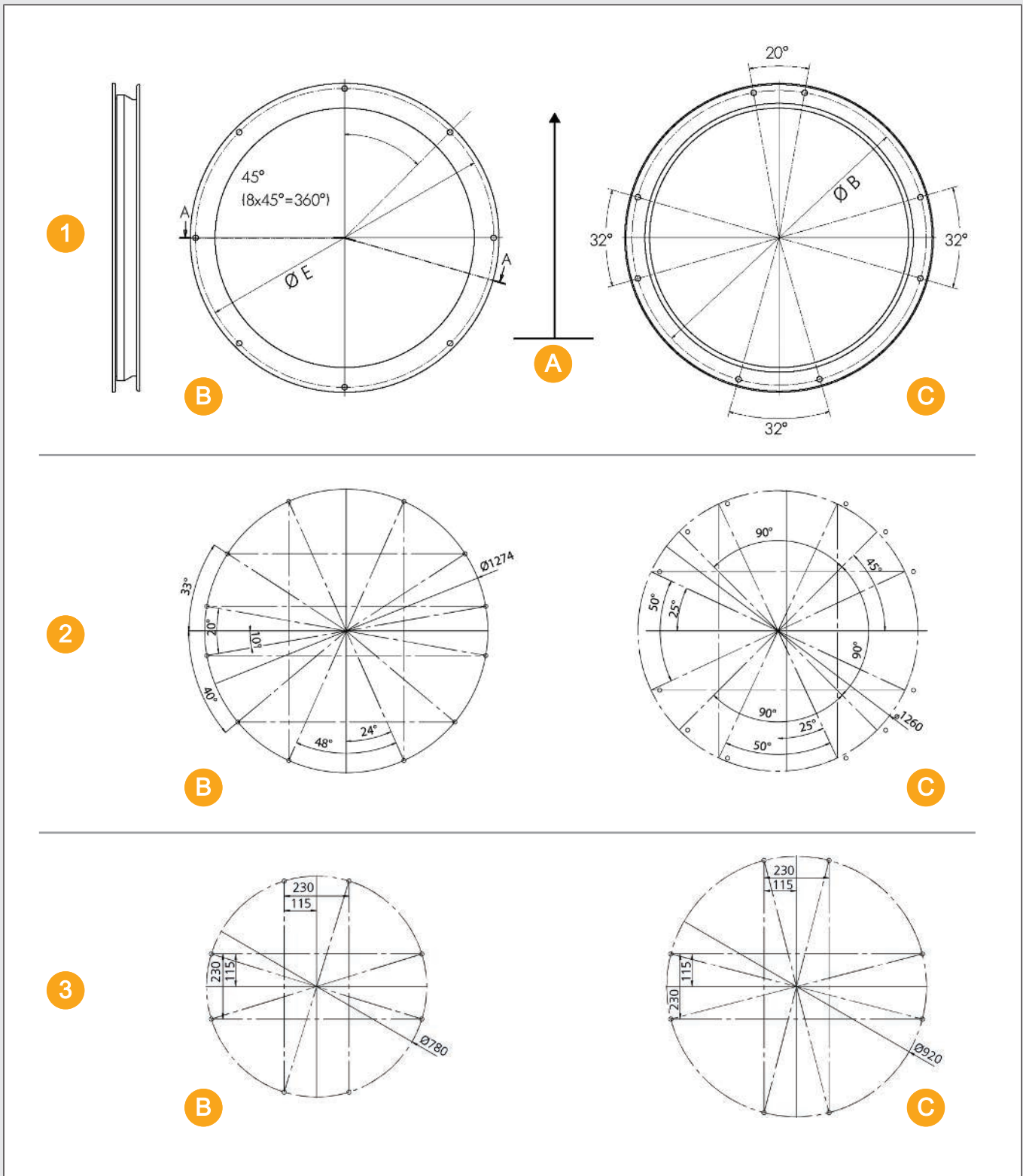
Further versions on request

All dimensions specifications are nominal dimensions

(\*) – special drilling pattern

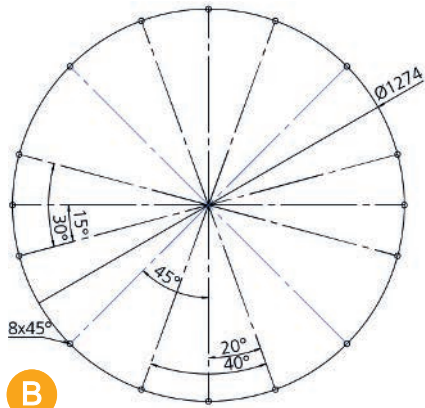
contact Application Engineering for more information

**Drilling Patterns**

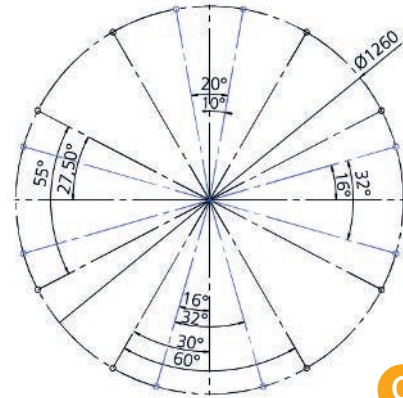


1	Drilling Pattern 1	A	Driving direction
2	Drilling Pattern 2	B	Upper ring
3	Drilling Pattern 3	C	Lower ring

7

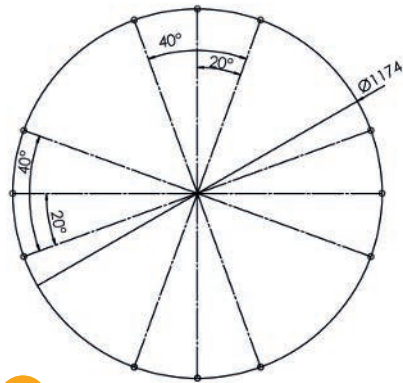


B



C

8



B



C

7	Drilling Pattern 7	B	Upper ring
8	Drilling Pattern 8	C	Lower ring



# CentroLube

The CentroLube lubrication unit, when connected to the turntable, supplies lubricant to the entire ball race from a single lubrication point.

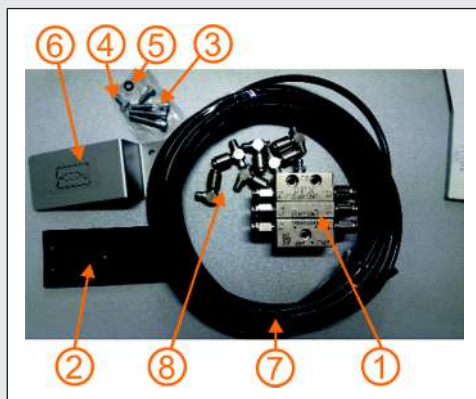
**Further advantages:**

- all lubrication points are supplied evenly throughout operation
- reducing the maintenance time and improving safety
- environmentally friendly due to optimized adjustment of lubrication requirements

## Central Lube System

### Central lube system for ball races

Type	Order no.
quadruple	2110300000400
sextuple	2110300000370
eightfold	2110300000390
2 sextuple	2110300000410

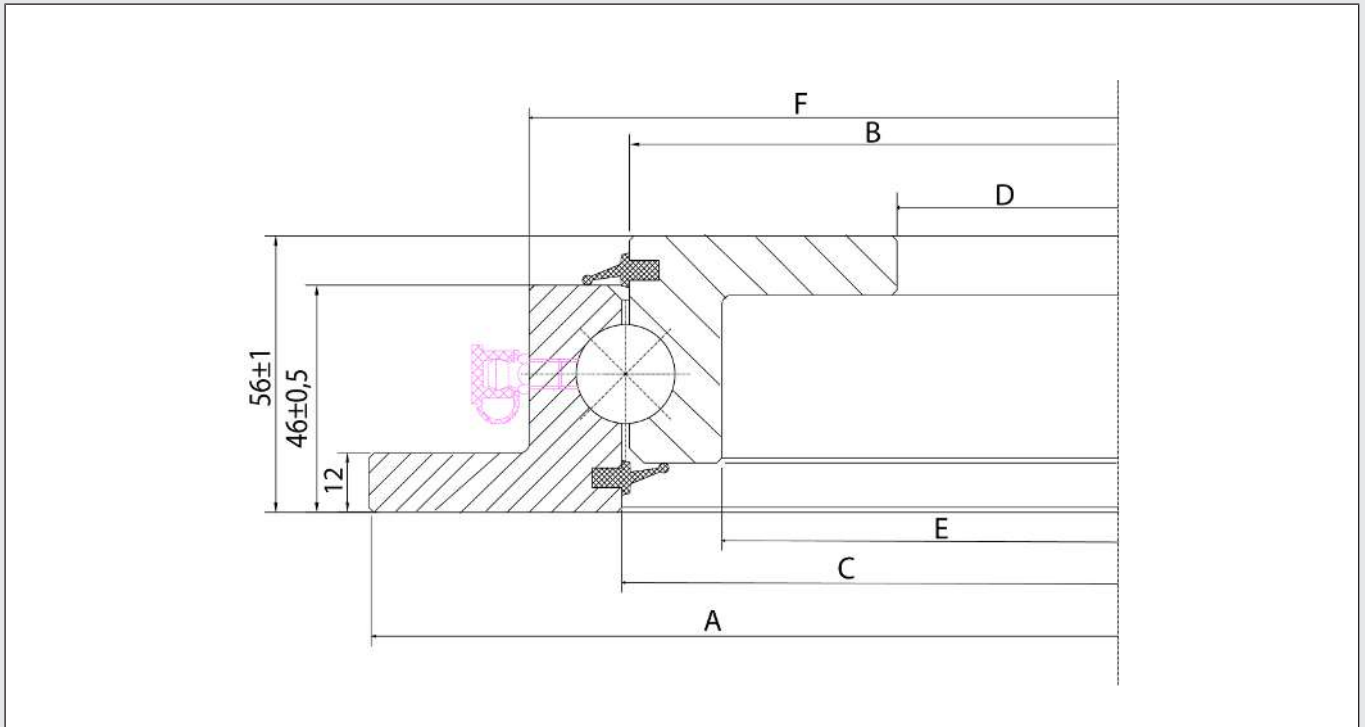


Item	Description	Qty.
1	Progressive dispenser with 4, 6 or 8 ports	1
2	Mounting plate 120 x 50 x 5 mm	1
3	Socketed head cap screw M5 x 30 mm	3
4	Hexagonal screw M5 x 12 mm	2
5	Securing washer M5	2
6	Protection cover	1
7	Grease hose	1
8	Compression fittings	4, 6, 8, 12





## Ball bearings



### Technical data

Name	Type	axial load [kN]	A [mm]	B [mm]	C [mm]	D [mm]	E [mm]	F [mm]	Order no.
Ball pivot bearing	undrilled	256	418	309,5	312,5	204	275	353	1035300000090
Ball pivot bearing	undrilled	313	515	412,5	415,5	304	375	453	1035300000100
Ball pivot bearing	undrilled	414	648	542,5	545,5	434	505	583	1035300000110
Ball pivot bearing	undrilled	493	748	642,5	645,5	534	605	683	1035300000120
Ball pivot bearing	undrilled	572	848	742,5	745,5	634	705	783	1035300000130
Ball pivot bearing	undrilled	651	948	842,5	845,5	734	805	883	1035300000140
Ball pivot bearing	undrilled	733	1048	942,5	945,5	834	905	983	1035300000150
Ball pivot bearing	undrilled	849	1198	1092,5	1095,5	984	1055	1133	1035300000160

