

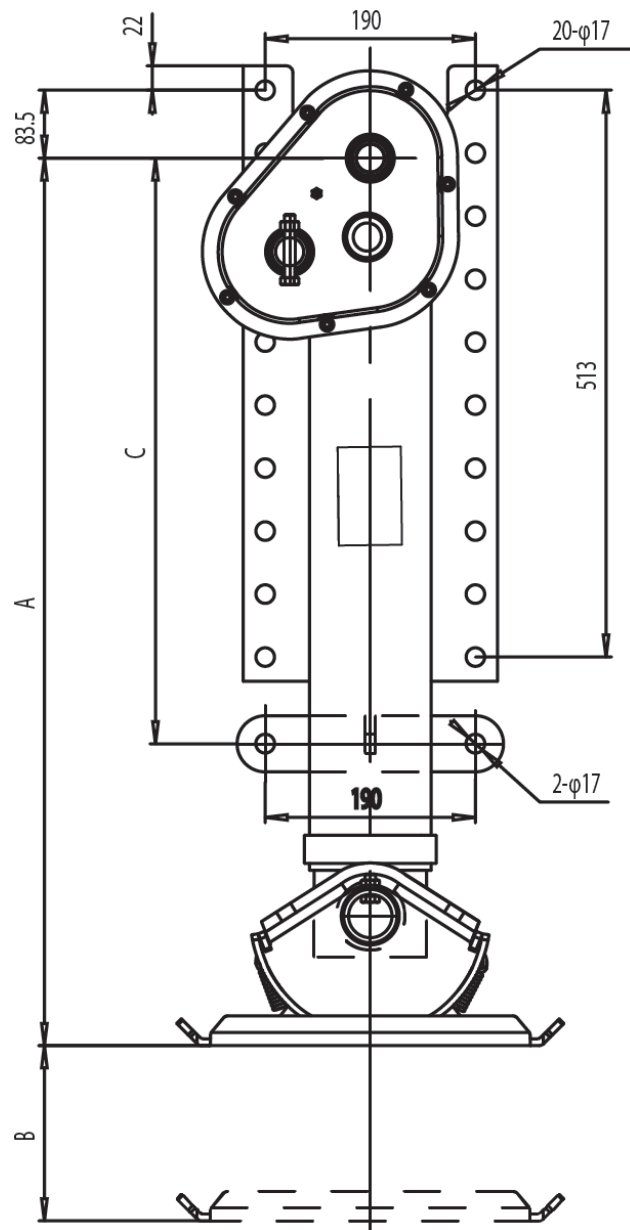


www.sauer-qualityparts.com



LANDING GEARS

Truck and Trailer Parts



- Static load per set: 50,000 kg
Static load per leg: 25,000 kg
- Load capacity per set: 24,000 kg
Load capacity per leg: 12,000 kg
- Complete set is always delivered with standard accessories:
 - Crank-holder
 - Cross-drive shaft
 - Crank

Complete Sets *BASIC*

Description	Type	Part No. ①	A mm	B mm	C mm	Weight kg
Landing gear kit - Compensating foot	LGS S 75-38 D S	S3897538100	750	382	480	104
Landing gear compensating foot	LGS O 75-38 D S	S3897538110	750	382	480	44
Landing gear compensating foot (gear box)	LGS G 75-38 D S	S3897538120	750	382	480	52
Landing gear kit - Compensating foot	LGS S 80-44 D S	S3898044100	800	430	530	108
Landing gear compensating foot	LGS O 80-44 D S	S3898044110	800	430	530	46
Landing gear compensating foot (gear box)	LGS G 80-44 D S	S3898044120	800	430	530	54
Landing gear kit - Compensating foot	LGS S 86-48 D S	S3898648100	860	480	580	112
Landing gear compensating foot	LGS O 86-48 D S	S3898648110	860	480	580	48
Landing gear compensating foot (gear box)	LGS G 86-48 D S	S3898648120	860	480	580	56

Accessories

Description	Part No. ①	Weight kg
Crank	S2090001000	2,4
Crank holder	S1890001000	0,3
Square cross drive shaft	S4350001000	5,5
Compensating foot	S3700001000	12,0

① These are SAUER QUALITY PARTS part numbers. They are not original products of the OEM = original equipment manufacturer or an OEM authorised product, but it is an independently manufactured spare part.

Provided by

FAIR

- The right price for the right part – everywhere and at any time!

PROVEN

- After all these years on the road your vehicle still deserves tested components for a long life time – your truck and trailer will thank you by performing from every day!

RELIABLE

- It is not only that we offer reliable quality parts in one of the most demanding markets and that our parts keep your business moving – we are a partner you can depend on!